

E-Series RF 1:4 Flux Coupled Step-up Transformer
1 – 350 MHz

ETC4-1
V4

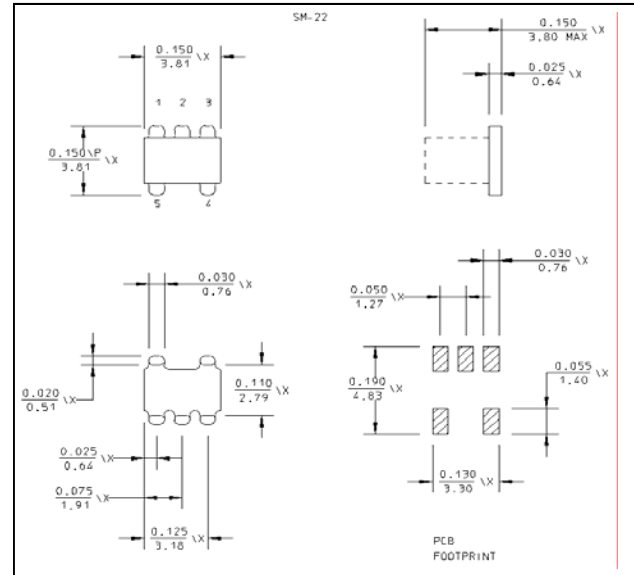
Features

- 1:4 Impedance Ratio
- CT on Secondary
- Surface Mount
- Tape and reel packaging available

Description

M/A-COM's ETC4-1 is a 1:4 RF flux coupled step-up transformer in a low cost, surface mount package. Ideally suited for high volume cellular and wireless applications. Parts are packaged in tape & reel.

SM - 22 Package



Electrical Specifications: $T_A = 25^\circ\text{C}$, $Z_0 = 50\Omega$ ¹

Parameter	Test Conditions	Frequency	Units	Min	Typ	Max
RF Frequency	—	1 - 350	MHz	—	—	—
Insertion Loss	$F_L - f_U$	5 - 100	dB	—	—	1.0
		2 - 300	dB	—	1.21	2.0
		1 - 350	dB	—	—	3.0
Amplitude Unbalance	—	5 - 100	dB	—	—	0.1
		1 - 350	dB	—	—	0.5
Phase Unbalance	—	5 - 100	Degrees	—	—	1.0
		1 - 350	Degrees	—	—	5.0

Absolute Maximum Ratings¹

Parameter	Absolute Maximum
RF Power	250 mW
DC Current	30 mA
Operating Temperature	-40°C to +85°C
Storage Temperature	-55°C to +125°C

Ordering Information

Part Number	Package
ETC4-1TR	Tape and Reel (2000 piece Reel)

1. Operation of this device above any one of these parameters may cause permanent damage.

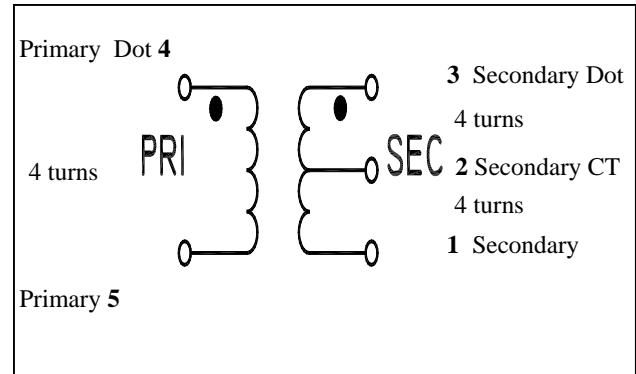
E-Series RF 1:4 Flux Coupled Step-up Transformer
1 – 350 MHz

ETC4-1
V4

Pin Configuration

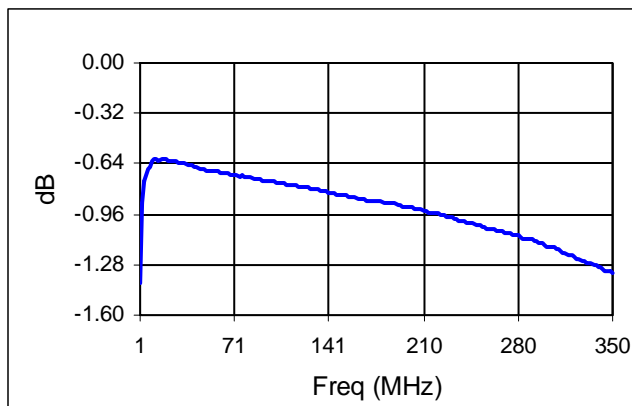
Pin No.	Function
1	Secondary
2	Secondary CT
3	Secondary Dot
4	Primary Dot
5	Primary

Schematic

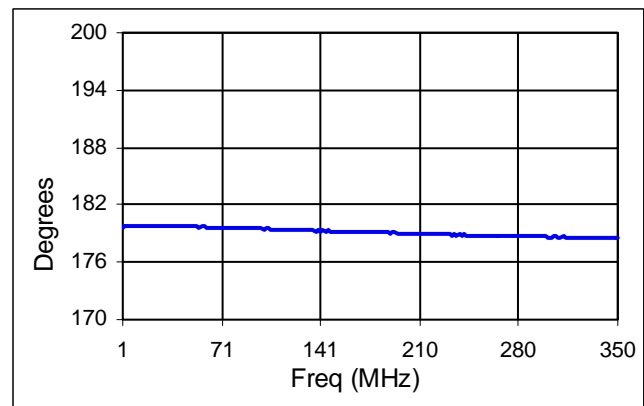


Typical Performance Curves

Insertion Loss



Phase Unbalance



Amplitude Unbalance

